

Opskrba energijom s jednog mjesta



**Regulator tlaka plina
Gas pressure regulator
VILLAGE FLOW VF
50/100/160/250**



The Experts in Energy Supply

VILLAGE FLOW VF

DVOSTUPANJSKI REGULATOR TLAKA PLINA

TWO STAGE PRESSURE REGULATOR

VILLAGE FLOW se koristi u postupcima opskrbe plinom gradova i industrijskih pogona, ali i za ostale velike prostore tako da se ugrađuje u plamenike bojlera.

Već standardno se dvostupanjski regulator tlaka plina ugrađuje sa sigurnosnim zapornim ventilom. Na raspolaganju su različite mogućnosti priključivanja i dizajna, s ili bez priрубnica, vanjskim ili unutarnjim navojima, linijski ili kutni, za prekid dovoda plina za grijanje (HTB), sa zaštitnom membranom ili prekidom dovoda plina kao zaštite za prekid opskrbe, zaštitni ispusni ventil i uređaji za ograničavanje stope protoka.

Regulatori su projektirani u skladu s smjernicama PED 2014/68/EU.

The VILLAGE FLOW is used for gas supply of municipalities and industry as big flats thru process gas supply for burner in boiler houses.

As standard, the two stage gas pressure regulators are fitted with a safety shut-off valve. A range of connectors and designs with or without flanges, internal or external threaded, inline or corner version, thermal gas cut-off (HTB), safety membrane or pressure cut-off for supply interruption protection, safety blow-off valve and flow rate limitation devices are available.

The gas pressure regulator is designed according to PED 2014/68/EU.

TEHNIČKI PODACI

TECHNICAL DATA

Ulazni tlak:	0,3 ÷ 10,0 bar
Nominalna dimenzija:	DN 25/40/50
Raspon izlaznog tlaka:	pas 20 ÷ 300mbar
Zadana vrijednost sigurnosn.zapornog ventila:	
ps0	30 ÷ 400 mbar
psu	15 ÷ 200 mbar
Regulatorna skupina:	AC 5/10
Skupina blokade tlaka:	SG 20/30
Točnost:	ps0/psu AGo 10/AGu 30
Stopa protoka:	vidi dijagram
Raspon temperature:	-20/30 ÷ + 60 °C
Mjesto ugradnje:	diskretno
Toplinsko otpustanje cca.:	105 /140 °C
Priključak:	Priрубnica, unutarni navoj vanjski navoj

Perm.inlet pressure:	0,3 ÷ 10,0 bar
Nominal dimension:	DN 25/40/50
Outlet pressure range:	pas 20 ÷ 300mbar
Set range of safety shut-off valve:	
ps0	30 ÷ 400 mbar
psu	15 ÷ 200 mbar
Regulatory class:	AC 5/10
Lock-up pressure class:	SG 20/30
Accuracy:	ps0/psu AGo 10/AGu 30
Flow rate:	see diagram
Range of temperature:	-20/30 ÷ + 60 °C
Position of installation:	discretionary
Thermic release cc.:	105 /140 °C
Connection:	flange, internal threaded external threaded

MATERIJALI

MATERIALS

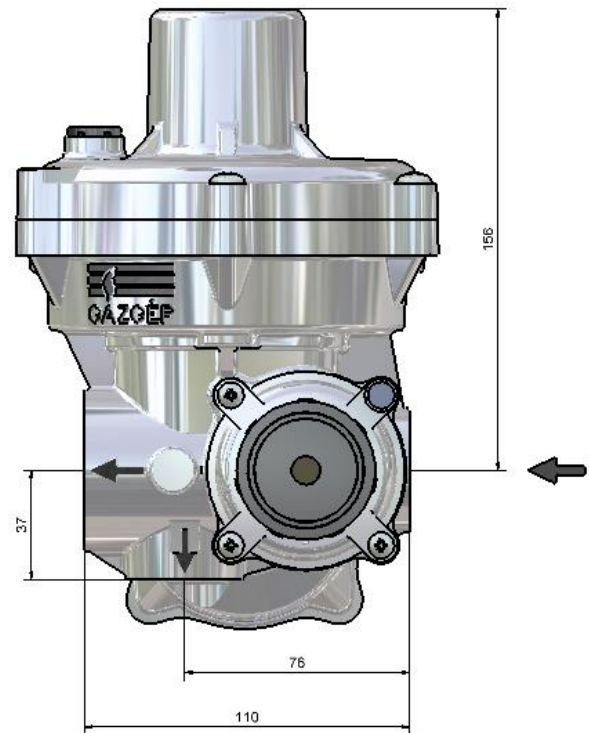
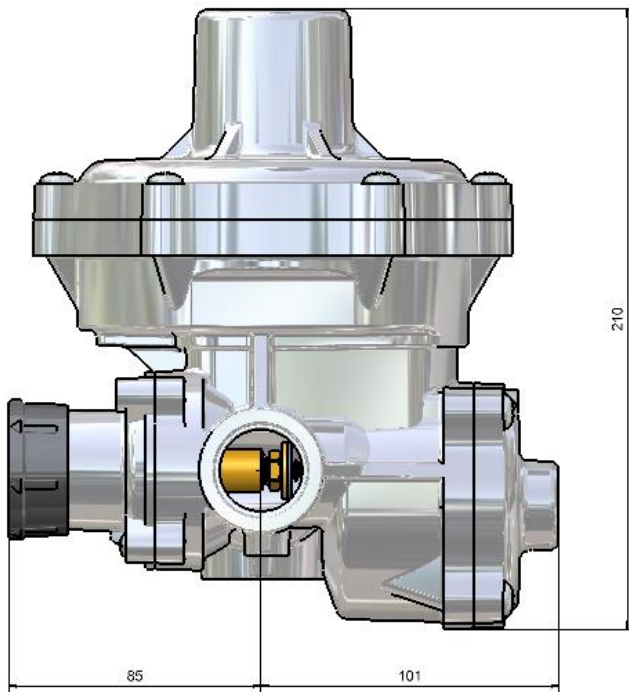
Regulator, SBV, tijelo:	Tlačno lijevani aluminij
Priključak ulaz/izlaz:	Pocinčani čelik
Unutarnji dijelovi:	Čelik, mjed, plastika
Membrana:	Perbunan (guma otporna na pentan)
O-prsten:	NBR, FPM

Regulator, SBV, body:	Die-casting aluminium
Connection inlet/outlet:	Zinc plated steel
Internals:	Steel, brass, plastic
Diaphragm:	Perbunan (pentane resistant rubber)
O-Ring:	NBR, FPM

VILLAGE FLOW VF

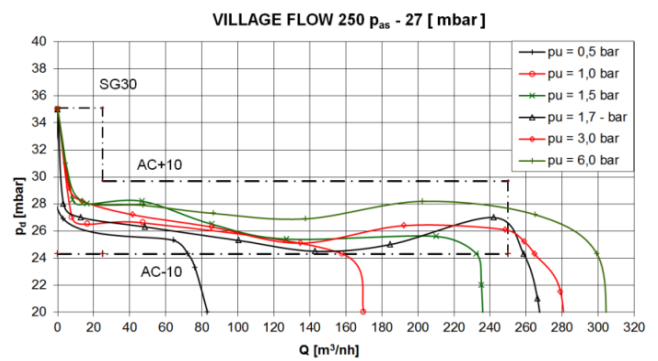
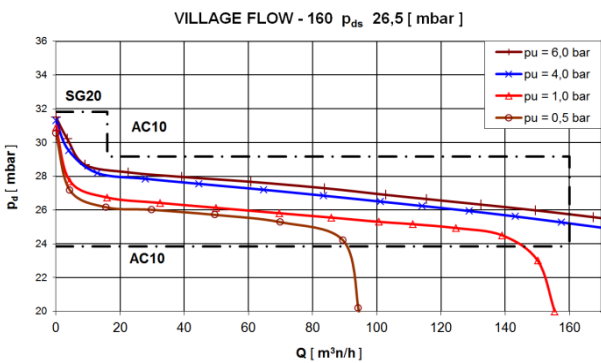
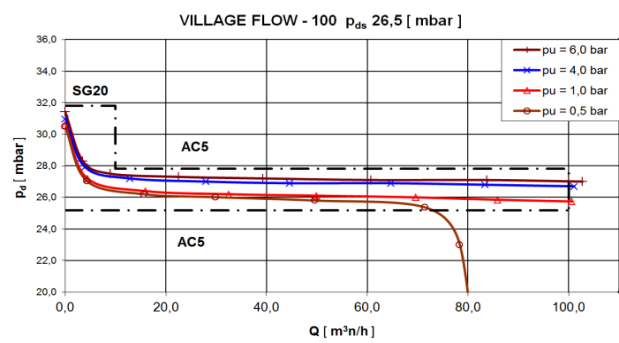
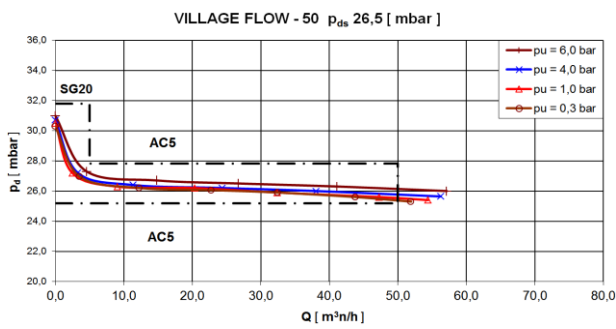
DIMENZIJE U MM

DIMENSIONS IN MM



DIJAGRAM PROTOKA*

FLOW DIAGRAM*



*(Proizvod se naručuje prema području izlaznog tlaka datom na stanici 2)
 *(Product to order according to the outlet pressure range on the 2. page)

